

Marine Applications



Removable Insulation Blankets Marine Applications



Exhaust and Steam Line Insulation

For Heat Management and Maritime Safety

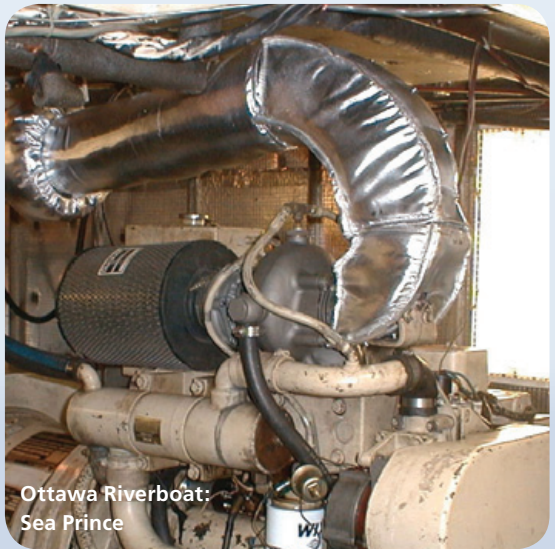
Whether it be for personnel protection, passenger safety, or meeting Maritime sea-going standards, insulating exposed exhaust components and steam line piping is an essential part of any sea-going vessel's safety program.

Due to the narrow confines of engine rooms, galleys and gangways on board, and in the interests of maintaining a good working environment, insulation is critical for:

- Reduction of ambient heat load.
- Protection of heat sensitive sensors and equipment.
- Personnel protection.
- Fire prevention.
- Maximizing the effectiveness of exhaust catalytic purifiers/filters.



Canadian Coast Guard:
Griffon



Ottawa Riverboat:
Sea Prince

“ We received our blankets the other day and have since installed them on our mains. They look absolutely mint and perform well. Firwin have done a great job. I'm very happy and will recommend your product to others. ”

- Rob F, Chief Engineer
M/V Marion Queen.

Convenient, Removable Insulation Blankets:

Firwin Removable/Reusable Insulation Blankets are made up in convenient sized panels or sections, and can easily be installed and removed by your own crew - only those blankets necessary to enable a particular maintenance or inspection job to be done need be removed.

Firwin blankets meet Coast Guard, UL, and MIL requirements



Vessel: Montrealais

Technical Specifications:

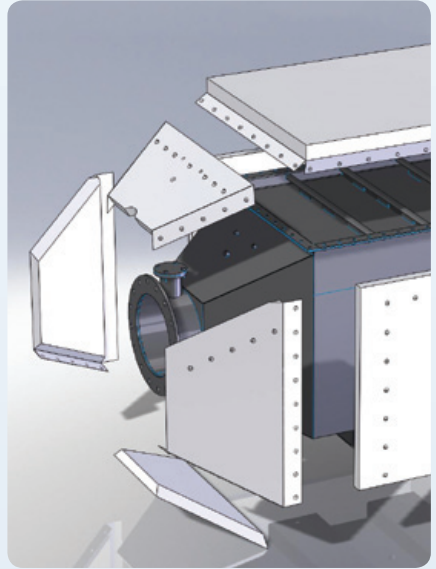
Layers	Material	Temperature Limit	Function
Outer	Silicone Impregnated Fiberglass	Grey: 500° F (260° C) Red: 600° F (316° C)	Protective Cover
Middle	Fiberglass	Firwin 1200: 1200° F (649° C)	Insulation Media ¹
	CMS Wool	Firwin 1800: 1800° F (982° C)	
Inner	Stainless Steel Mesh	Firwin 304SS: 1200° F (649° C)	Contains Insulation Media
	Stainless Steel Foil	Firwin 309SS: 1800° F (982° C)	Fluid Barrier ²

¹ 2 inch insulation recommended for higher temperature applications where space permits.

² Safety feature designed to prevent oil from seeping into insulation matt.

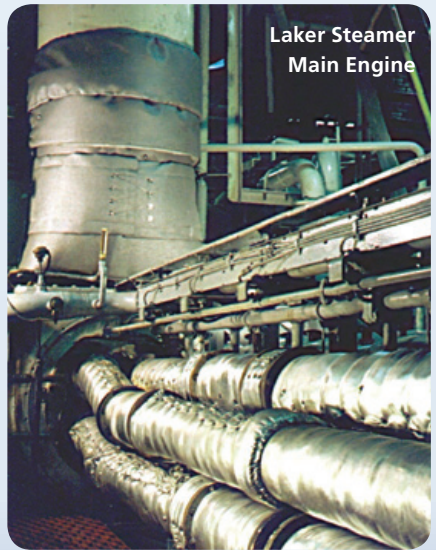
Features of Firwin Removable Insulation Blankets:

- Modular design for easier installation and removal.
- Installation does not require skilled labor.
- Custom-fit designs for maximum insulating performance.
- Blanket assembly instructions are in easy-to-follow renderings.



Royal Canadian Yacht Club:
Commodore

Heat loss from engine exhausts, piping, silencers, steam piping systems, etc can be dramatically reduced with insulation.



Laker Steamer
Main Engine

“ Hope all goes well. Received and installed exhaust blankets on Deutz gen set today. We had been offshore for the last week or so. Great fit, Great job. You and your crew do nice work.”

- Chris W., North Star Marine.

Why Firwin?

Over 25 years of experience

Firwin has been in the insulation blanket business since 1982.

Blankets are custom designed to fit your precise needs

Different applications call for different insulation solutions. The type of insulation material, blanket thickness, outer cover, and other factors can vary from one customer to the next.

At Firwin, we work with you to arrive at the best insulation solution for your application.

Commitment to excellence in customer service

We strive to respond to all inquiries within 24 hours. Our design team is ready to help you determine what insulation is right for you. If there ever is a problem with one of our blankets, we will do whatever is necessary to make it right. Just ask our customers – most of our business comes from their referrals.



Firwin insulation blankets are typically fastened using stainless steel lacing wire. While this method is the most versatile, alternative fastening systems are available. Our staff will work with you to decide which system is right for you.

“Dealing with Firwin is always professional and very easy. The staff is well-versed in insulation technologies, and are prompt with a reply to my various technical inquiries. Firwin has consistently produced custom fabricated insulation blanket orders for me with an attention to detail and level of customer service unsurpassed in the industry.”

- Ted Karas, Sales Engineer,
Boulden Energy Systems

Noise Barrier and Absorption Composite

Firwin supplies acoustical attenuation configurations where noise is a concern in addition to heat loss. We also stock off-the-shelf fiberglass tapes and sleeves.



Firwin Corp provides removable insulation solutions to a number of industries:

- Marine
- Mining
- Power Generation and Genset
- Off Highway Vehicles
- On Highway Vehicles
- Military
- Locomotive
- Industrial Process Industries

Our blankets are designed to fit:

- Engine Manifolds
- Elbows
- Flex Connectors
- Turbo Chargers
- Pipes
- Silencers
- Purifiers and SCRs.



firwin

We've Got You Covered

Contact Firwin

Toll free: 1-877-FIRWIN7 (347 9467)

Canada West

Toll Free: 1-877-784-9784
Tel: 780-800-6925
Fax: 1-800-462-9080

Canada East

Toll Free: 1-877-347-9467
Tel: 416-745-9389
Fax: 416-745-0782

United States

Toll Free: 1-877-347-9467
Tel: 914-307-9014
Fax: 914-219-3199

www.firwin.com - firwin@firwin.com



ISO 9001:2008
Cert. FM 537336